

DIY WIND TURBINE



DA-600



MPPT Charge Controller

*MPPT: Maximum Power Point Tracking



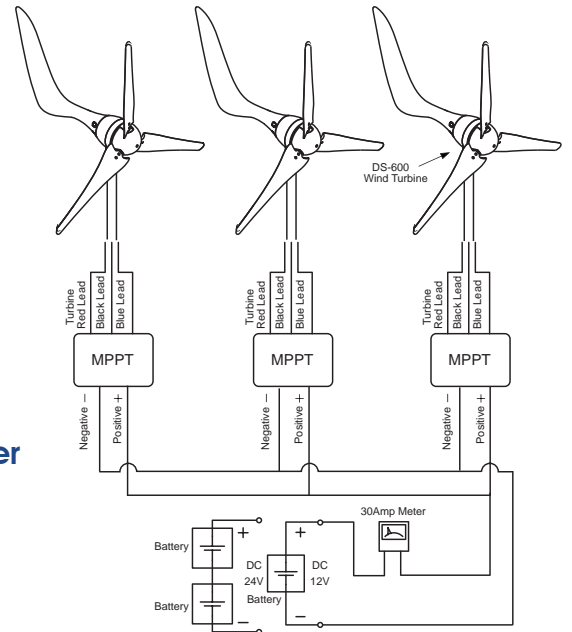
DA-1500



DS-600 Marine (Rust Proof)



MPPT Charge Controller

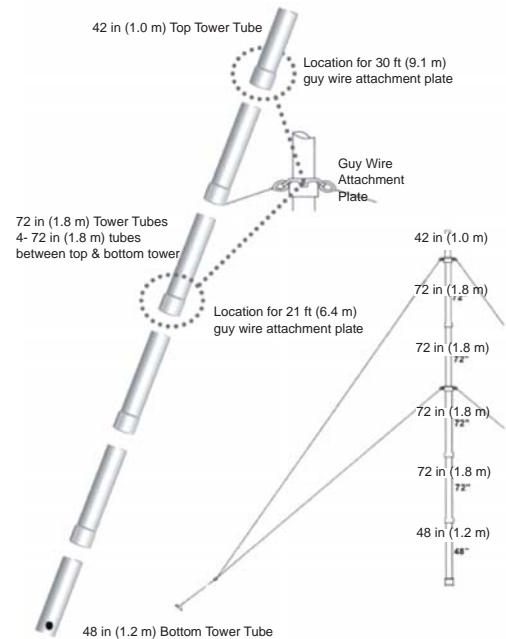


Item No.	DA-600	DA-1500	DS-600 Marine
Rated speed	12.5 m/s (41 ft/s)	14 m/s (46 ft/s)	12.5 m/s (41 ft/s)
Rated power	600W	1500W	600 W
Voltage with MPPT	12V and 24V	24V	12 and 24 V
Rotor diameter	1.3m (4.2 ft)	1.7m (5.6 ft)	1.3m (4.2 ft)
Cut-in wind speed	2 m/s (4.5 MPH)	2.5 m/s (5.6 MPH)	2 m/s (4.5 MPH)
Survival wind speed	70 m/s (157 MPH)	60 m/s (134 MPH)	70 m/s (157 MPH)
Number of blades	3	3	3
Blade material	Glass fiber	PP+Glass fiber	Glass fiber
Suggested battery capacity	> 100 A/Hr	> 200 A/Hr	> 100 A/Hr
Weight	9 KG	15 KG	9 KG

TOWER POLE KIT FOR WIND TURBINE



POLE FOR LAND (10M)



Including:

1. Tower Base x 1
3. 30ft Guy Wire Set x 1
5. M10 Locknut x 1
8. Tower Base Earth Spikes x 4
11. 4.76 cm x 1.8 m Tower Tubes x 4
2. 21ft Guy Wire Set x 1
4. M10 x 65mm Bolt x 1
6. Cable Thimbles x 8
9. Arrowhead Earth Anchors x 4
12. 4.76 cm x 1.2 m Tower Tubes x 1
7. Cable Clamps x 16
10. Earth Anchor Driving Rod x 1
13. 4.76 cm x 1.0 m Tower Tubes x 1

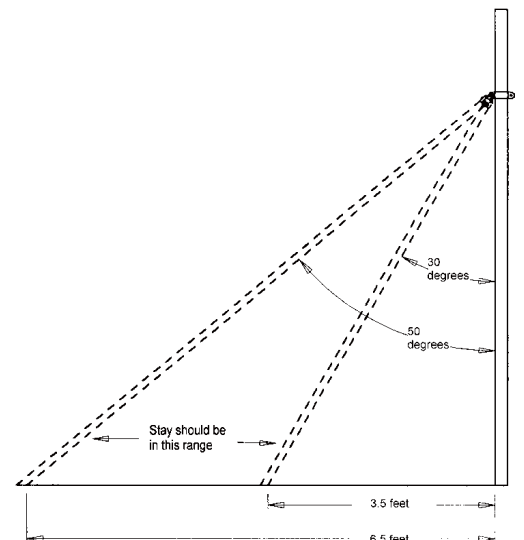


POLE FOR BOAT (2.7M)



Including:

1. Stainless steel end caps x 4
2. Mast vibration dampening mount x 1 (with bolt, washers, nut and bracket)
3. Stay vibration dampening mounts x 2
4. Stay base bracket x 2
5. Mast hinge base angle brackets x 2
6. Mast saddle straps x 4
7. Mast wiring grommet x 1
8. Stainless steel socket head screws x 12
9. Screws x 2
10. Nylon lock nuts x 12
11. Stainless steel extra thick washer x 2
12. Lock washer x 2
13. Thick rubber adapter sleeve (for stainless steel towers only) x 1
14. Powder coated or stainless steel mast x 1
15. Powder coated or stainless steel stays x 2



WIND TURBINE INSTALLATION EXAMPLE

